

# PRODUCT AND DESIGN GUIDE



REBUILDING LIVES. BUILDING FURNITURE.  
**PURPOSEFUL-DESIGN™**  
— EST. 2013 —

## OUR MISSION

**Purposeful Design** is a poverty-fighting ministry focused on rebuilding lives from hopelessness to promise.

We welcome men coming from the streets through homeless missions who want a better life. We offer jobs making high quality furniture, with opportunity for advancement and a variety of character, lifestyle, and spiritual growth inputs.

The combination of an ordered lifestyle centered around work, new relationships, and habits, puts them on the road to becoming self-sufficient and capable of earning a living wage. While learning the art of furniture making, we are also building a foundation necessary for successful employment and living: discipline, trustworthiness, and relationship skills.

REBUILDING LIVES. BUILDING FURNITURE.  
**PURPOSEFUL-DESIGN™**  
 — EST.2013 —





# THE PD DIFFERENCE

## 1. Made to Spec

- We make exactly what you want.
- We can service small one-time orders as well as high quantity production-style orders.

## 2. Quality

- Our solid wood product stands out against the rest.
- Built to last. In 10-15 years when your product starts to show normal wear and tear, send it back to us and we can refinish it.

## 3. Mission

- This isn't just a table, it's a story of lives being changed from hopelessness to promise.



MISSION

FURNITURE  
OVERVIEW

SEMI-CUSTOM

TABLES

BENCHES

CUSTOM

INSPIRATION



# OUR PROVEN PROCESS

<b>MISSION</b>	<b>1 INTRODUCTION</b>	Learn about Purposeful Design and how you can join us in the fight against poverty. We think amazing things are happening at PD and we can't wait to share with you.	<ul style="list-style-type: none"> <li>• PD Mission and Results</li> <li>• Products</li> <li>• Competencies</li> <li>• Visit PD (optional)</li> </ul>
	<b>2 SCOPING</b>	Let's talk about your upcoming project opportunities and where PD can help transform your space.	<ul style="list-style-type: none"> <li>• Project Overview</li> <li>• Timeline</li> <li>• Budget</li> <li>• Parties Involved</li> </ul>
<b>FURNITURE OVERVIEW</b>	<b>3 DESIGN &amp; PRICE</b>	Different levels of customization available based on your specific needs.	<ul style="list-style-type: none"> <li>• Design Creation</li> <li>• Design Review and Revisions</li> <li>• Design Approval</li> <li>• Pricing</li> </ul>
		<ul style="list-style-type: none"> <li>• Semi-Custom. Standardized options, lower price, quicker turnaround for design and price.</li> <li>• Custom. Work with PD Engineering &amp; Design Team. 3-D drawing, higher price. This phase takes a little longer as we work with you to get the details just right.</li> </ul>	
<b>SEMI-CUSTOM</b>	<b>4 APPROVALS</b>	The preliminary work is finished and you are ready to order. We will finalize product & delivery details, including acceptance of custom paints and stains.	<ul style="list-style-type: none"> <li>• Customer PO</li> <li>• Work Order signoff</li> <li>• 50% Deposit Invoice</li> <li>• Estimated Delivery Date</li> </ul>
<b>BENCHES</b>		<b>5 MANUFACTURING</b>	Our craftsmen and apprentices will get to work building your furniture. This is really fun, sometimes stressful, and it's where we see the life-change in our men really start to take place.
<b>TABLES</b>	<b>6 DELIVERY</b>	We know you're ready for it! Our delivery lead will reach out to schedule a delivery date as soon as the manufacturing process is complete.	<ul style="list-style-type: none"> <li>• Deliver Finished Product</li> <li>• Invoice for remaining balance</li> <li>• Customer Satisfaction</li> <li>• Repeat!</li> </ul>
<b>CUSTOM</b>			
<b>INSPIRATION</b>			



# OUR DESIGN LANES

MISSION	
FURNITURE OVERVIEW	
SEMI-CUSTOM	TABLES
BENCHES	
CUSTOM	
INSPIRATION	

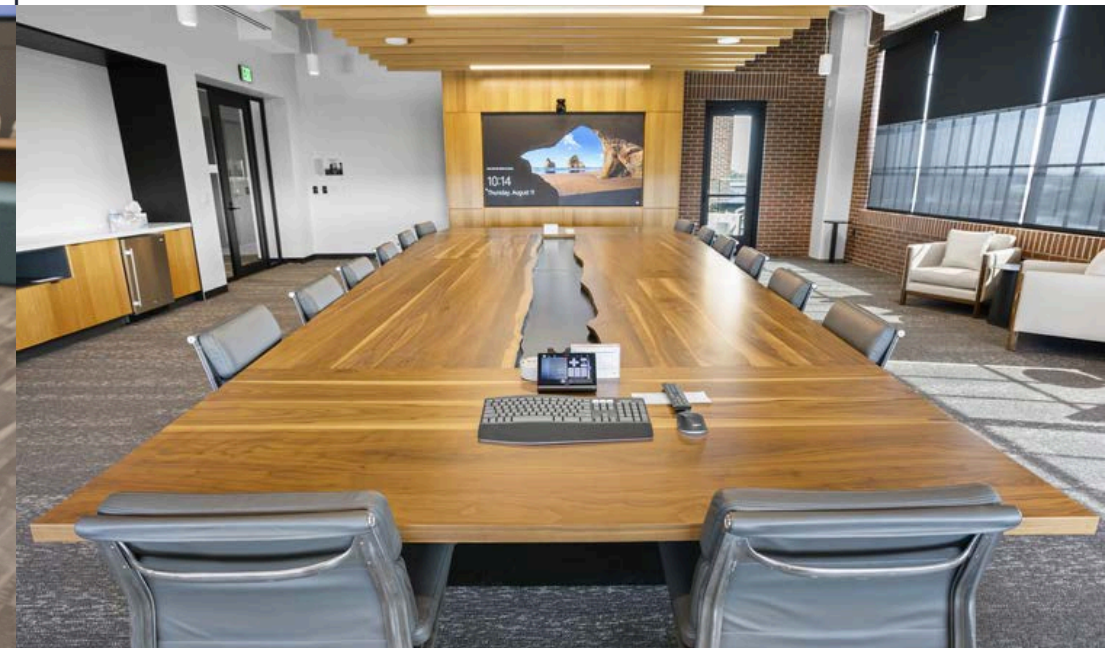
## SEMI-CUSTOM

- Customers select from a range of available options for each relevant design element.
- **Customized furniture, the easy way.**
- Available for tables and benches.
- **Keep reading below to see all of our available options.**



## CUSTOM

- **Full range of customization when designing your furniture.**
- Work with the PD Engineering and Design Team to bring your design to life.
- **More information on the Custom Design Lane can be found later in this document.**



# PRODUCT OFFERINGS

## TABLES

- ● Dining Height
- ● Counter Height
- ● Bar Height
- ● Occasional

## DESKS

- ● Working Desk
- ● Reception Desk

## SEATING

- ● Bench
- ● Stool
- ● Chair

## OTHER FURNITURE

- ● Credenza
- ● Bookcase
- ● Divider Wall
- ● Planter Box

## COMPONENT PARTS

- ● Table Tops
- ● Table Bases
- ● Countertops



These dots correspond to the available Design Lanes for the product offerings above.

Semi-Custom ● Custom ●



MISSION
FURNITURE OVERVIEW
SEMI-CUSTOM
BENCHES
<b>TABLES</b>
CUSTOM
INSPIRATION



# SEMI-CUSTOM TABLES



REBUILDING LIVES. BUILDING FURNITURE.  
**PURPOSEFUL-DESIGN™**  
 — EST.2013 —

# DESIGN ELEMENTS — TABLES

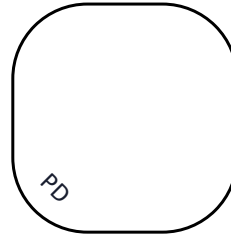
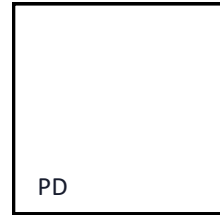


To create a table in the Semi-Custom Design Lane, follow the numbered steps through this document and select an option for each Design Element.

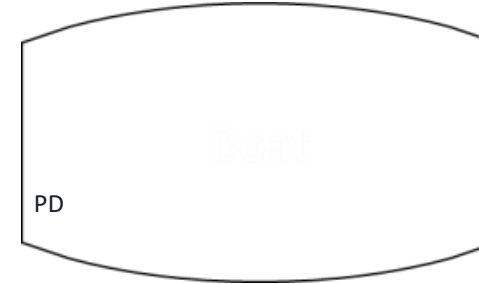
## 1 SHAPE

Square

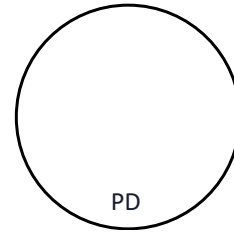
Also available with 1" corner radius or 6" corner radius (shown)



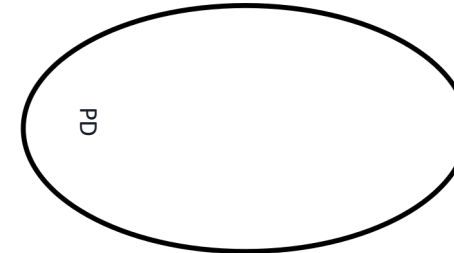
Boat



Round



Ellipse

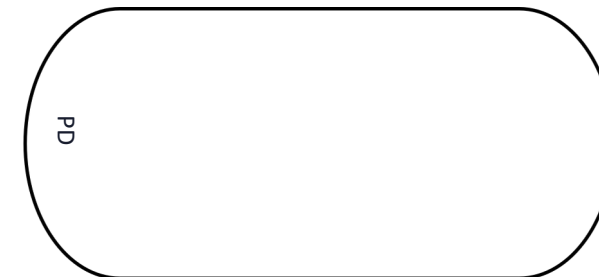


Rectangle

Also available with 1" corner radius or 6" corner radius



Racetrack



PD = Location of branding. See [Branding](#) section for more information.

**Not seeing the shape you are looking for? We can further customize the shape of your top in the [Custom Design Lane](#).**

MISSION
FURNITURE OVERVIEW
SEMI-CUSTOM TABLES
BENCHES
CUSTOM
INSPIRATION



# DESIGN ELEMENTS — TABLES



## 2 SIZING—WIDTH AND LENGTH

The width and length of your top can be specified in 1" increments.

**Choose a width.** The maximum width for your top is 60".  
**and**

**Choose a length.** The maximum length you can select for your top is influenced by two factors.

### 1. Thickness of Top

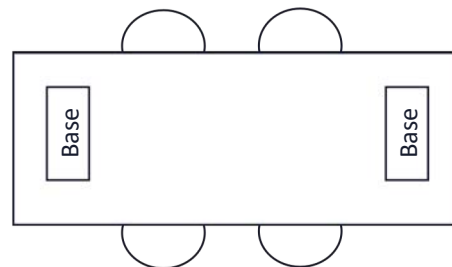
### 2. Base Placement

See chart below for maximum lengths.

BASE PLACEMENT	TOP THICKNESS		
	1" Thick	1.25" Thick	1.5" Thick
Outset (4" Overhang) (default)	Up to 68"L	Up to 95"L	Up to 122"L
Inset (15" Overhang)	Up to 90"L	Up to 117"L	Up to 144"L

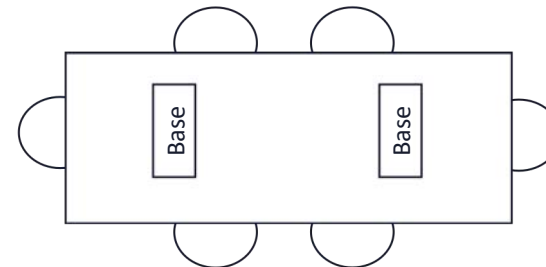
### Outset (4" Overhang)

No seating on end



### Inset (15" Overhang)

Additional seating on end



Tables exceeding these width and length limits can be designed in the [Custom Design Lane](#).

# DESIGN ELEMENTS — TABLES

## 3 WOOD SPECIES AND THICKNESS

Choose a thickness as well as a species. Solid wood tops are available in 1", 1.25", and 1.5" thickness in the species shown below.







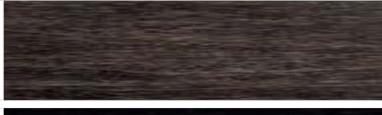

Wood Species From least expensive to most expensive	Natural Finish	Stain Colors	Finished Texture
Ash		Natural or Stained	Can see/feel grain
Maple		Natural or Stained	Smooth
Cherry		Natural or Stained	Smooth
Quarter-Sawn Red Oak		Natural or Stained	Can see/feel grain
Flat-Sawn White Oak		Natural Only	Can see/feel grain
Walnut		Natural Only	Smooth

**Not seeing the wood species you are looking for? Looking for a different thickness? Interested in a live-edge slab? We can further customize your wood top in the [Custom Design Lane](#).**

For maximum durability, all our tables are treated with a commercial-grade finish. Our default finish sheen is **Matte**, as we think Matte allows the wood to retain a natural look. Customers desiring a shinier surface finish may request that their top be finished in a Satin sheen.

## 4 STAIN COLOR

Choose a stain color, or opt to have your table finished 'Natural'.

Aged Ash	
Early American	
Classic Gray	
Red Mahogany	
Jacobean	
Mocha	
Ebony	
True Black	

A custom stain match can also be done upon request.



# DESIGN ELEMENTS — TABLES

## 5 BRANDING

Choose from the following:

- **Purposeful Design Hot Iron Brand (default)**
- Purposeful Design Medallion featuring a QR Code to the [www.pdindy.com](http://www.pdindy.com) website, available in Silver and Gold.
- Hot Iron Brand with customer-specified logo.

The placement of the branding on the top of the table is shown in the [Shapes](#) section.



## 6 EDGE PROFILE

Choose from the following:

- **Square (default)**
- 45\* Bevel - Top
- 45\* Bevel - Bottom
- Roundover

Square (default)

45\* Bevel - Top

45\* Bevel - Bottom

Roundover



# DESIGN ELEMENTS — TABLES

## 7 OPTIONAL ADDITIONS

### POWER

You can add up to 4 data ports to a table.

#### In-surface



- 2 outlets and 1 dual USB stack (A+C)
- Clear Anodized Aluminum (Matte Black)
- 120”L cord with straight plug
- Width: Always centered across width of table.
- Length:
  - 1 data port; centered on table’s length
  - 2 data ports; 30” from each end of the table
  - 3-4 data ports; spaced evenly along the length of the table

#### Undermount



- 2 outlets and 1 dual USB stack (A+C)
- Clear Anodized Aluminum (Matte Black)
- 120”L cord with straight plug
- Customer is responsible for attaching.
- Purposeful Design will provide necessary mounting hardware.

#### Side mount



- 2 outlets and 1 dual USB stack (A+C)
- Clean Anodized Aluminum (Matte Black)
- 120” L cord with straight plug
- Customer is responsible for attaching.
- Purposeful Design will provide necessary mounting hardware.

Further customizations, such as wire management or a customer-specified data port, are available in the [Custom Design Lane](#).

### MAGNETS

You can add magnets to the bottom of your table to give your metal chairs/stools the ability to be attached for mobility and easy cleaning.

### GROMMETS

You can add 2" black grommets to the top of your table to give access for cords and electronics. Options include:

- 1 grommet, centered and evenly spaced
- 2 grommets, centered and evenly spaced
- 3 grommets, centered and evenly spaced
- 1 grommet, back center
- 1 grommet, back left
- 1 grommet, back right

MISSION
FURNITURE OVERVIEW
SEMI-CUSTOM TABLES
BENCHES
CUSTOM
INSPIRATION



# DESIGN ELEMENTS — TABLES

## PD METAL SHOP

The PD Metal Fabrication Shop was created in 2021 to create jobs for more men and to bring the quality level of the table bases up to the quality level of our solid wood tops.

Using raw steel, we measure, cut, weld, and grind until we are satisfied your base is up to our exceptional quality standards. Whether it is one of the bases in our standard line or a design that you dream up and we bring to life, we know you will love the look, feel, and quality of your Purposeful Design table!

## 8 BASE STYLES AND HEIGHTS

Choose from our array of wood and metal bases on the following pages. Be sure to cross-reference the dimensions of your top with the size parameters for the base you select. Many of our bases are offered with a choice between **levelers** or **casters**, depending on your mobility needs. We also offer certain styles with a **flip-top mechanism** for more compact storage when not in use.

The finished table height will fall within a 0.5" range for dining height, counter height, and bar height, depending on the thickness of the wood used in the top (1", 1.25", or 1.5").

Further customizations are available in the Custom Design Lane:

- Custom-designed base style
- Custom dimensions (height, width, length)



# METAL BASES

## Pedestal Base, Radius'ed Square Disc, Narrow Post

Minimum Top Size: 30"x30"  
Maximum Top Size: 42"x42"

Available Top Shapes  
Square, Round, Ellipse



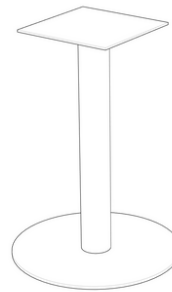
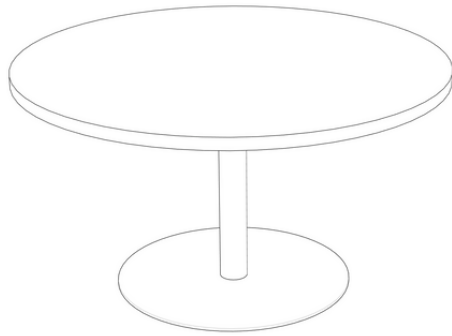
Finished Table Height	Levelers
Dining (29.5"-30")	✓
Counter (35.5"-36")	✓
Bar (41.5"-42")	✓

## Pedestal Base, Round Disc, 3.5" Post

Minimum Top Size: 24"x24"  
Maximum Top Size: 60"x60"

Available Top Shapes  
Square, Round, Ellipse

Disc diameter will be 12" smaller than diameter of table.

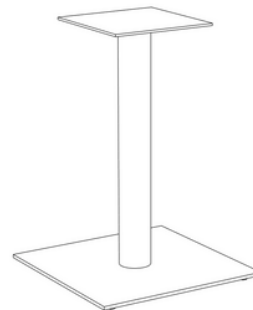


Finished Table Height	Levelers
Dining (29.5"-30")	✓
Counter (35.5"-36")	✓
Bar (41.5"-42")	✓

## Pedestal Base, Square Plate, 3.5" Post

Minimum Top Size: 24"x24"  
Maximum Top Size: 36"x36"

Available Top Shapes  
Square, Round, Ellipse



Finished Table Height	Levelers
Dining (29.5"-30")	✓
Counter (35.5"-36")	✓
Bar (41.5"-42")	✓

MISSION

FURNITURE OVERVIEW

SEMI-CUSTOM

TABLES

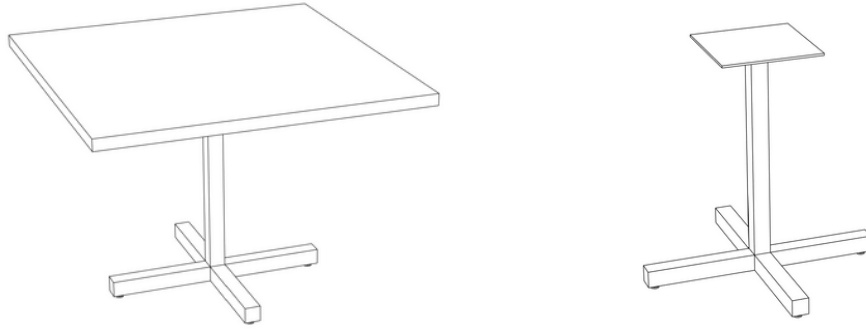
BENCHES

CUSTOM

INSPIRATION

# METAL BASES

## Pedestal Base, Cross Style, 2" Square Tube

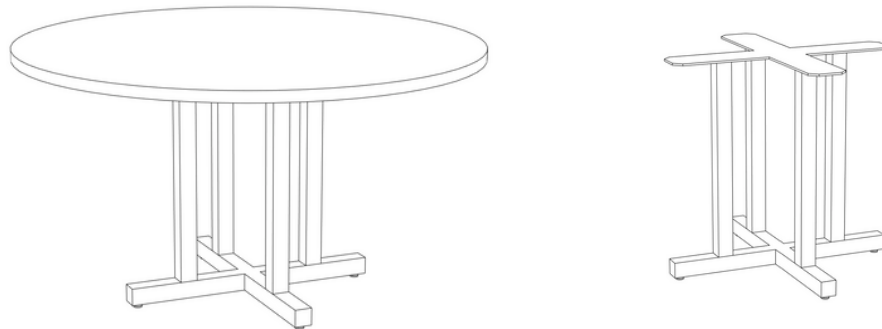


**Minimum Top Size: 24"x24"**  
**Maximum Top Size: 54"x54"**

**Available Top Shapes**  
 Square, Round, Rectangle,  
 Ellipse

Finished Table Height	Levelers	Casters
Dining (29.5"-30")	✓	✓
Counter (35.5"-36")	✓	✓
Bar (41.5"-42")	✓	

## 4 Post Pedestal Base, 2" Square Tube



**Minimum Top Size: 36"x36"**  
**Maximum Top Size: 60"x60"**

**Available Top Shapes**  
 Square, Round

Finished Table Height	Levelers	Casters
Dining (29.5"-30")	✓	✓
Counter (35.5"-36")	✓	✓
Bar (41.5"-42")	✓	

## 2 Post T-Leg, 2" Square Tube



**Minimum Top Size: 48"x48"**  
**Maximum Top Size: 60"x60"**

**Available Top Shapes**  
 Square, Round, Rectangle

Finished Table Height	Levelers	Casters
Dining (29.5"-30")	✓	✓
Counter (35.5"-36")	✓	✓
Bar (41.5"-42")	✓	



# METAL BASES

## T-Leg, 2" Square Tube



**Minimum Top Size: 18"x24"**  
**Maximum Top Size: 44"x144"**

**Available Top Shapes**  
 Rectangle, Ellipse,  
 Racetrack, Boat

Finished Table Height	Levelers	Casters
Dining (29.5"-30")	✓	✓
Counter (35.5"-36")	✓	✓
Bar (41.5"-42")	✓	

## Angled Post Leg, 3" x 1.5" Rectangular Tube

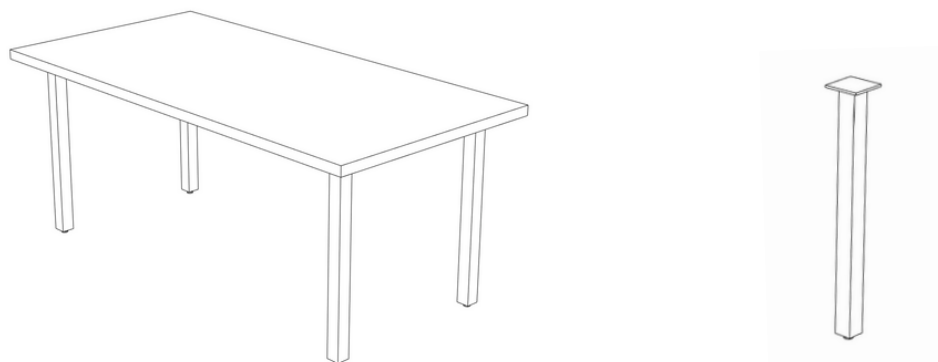


**Minimum Top Size: 24"x24"**  
**Maximum Top Size: 60"x144"**

**Available Top Shapes**  
 Square, Circle, Rectangle,  
 Racetrack, Boat

Finished Table Height	Levelers
Dining (29.5"-30")	✓
Counter (35.5"-36")	✓
Bar (41.5"-42")	✓

## Post Leg, 2" Square Tube



**Minimum Top Size: 16"x24"**  
**Maximum Top Size: 60"x144"**

**Available Top Shapes**  
 Square, Circle, Rectangle,  
 Racetrack, Boat

Finished Table Height	Levelers	Casters
Dining (29.5"-30")	✓	✓
Counter (35.5"-36")	✓	✓
Bar (41.5"-42")	✓	✓

MISSION
FURNITURE OVERVIEW
SEMI-CUSTOM TABLES
BENCHES
CUSTOM
INSPIRATION

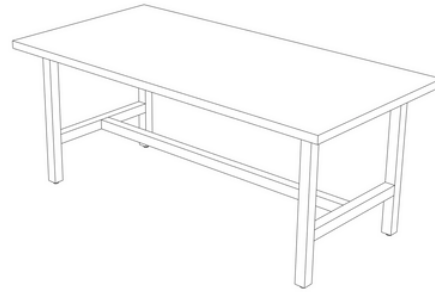
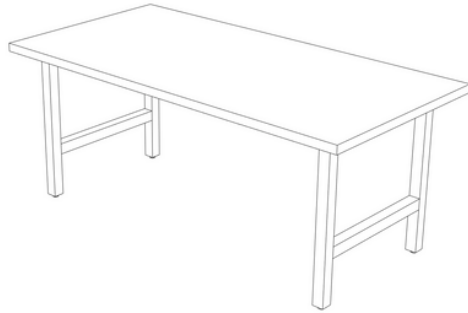
# METAL BASES

## H-Leg, 2" Square Tube

*Stretcher Bar Available*

**Minimum Top Size: 18"x30"**  
**Maximum Top Size: 60"x144"**

**Available Top Shapes**  
 Rectangle, Racetrack, Boat



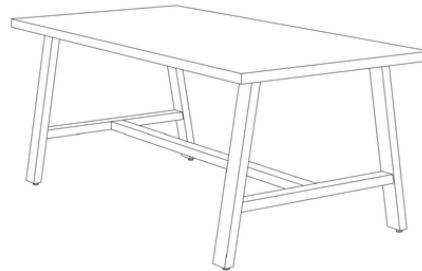
Finished Table Height	Levelers	Casters
Dining (29.5"-30")	✓	✓
Counter (35.5"-36")	✓	✓
Bar (41.5"-42")	✓	✓

## A-Leg, 3" x 1.5" Rectangular Tube

*Stretcher Bar Available*

**Minimum Top Size: 18"x30"**  
**Maximum Top Size: 60"x144"**

**Available Top Shapes**  
 Rectangle, Racetrack, Boat



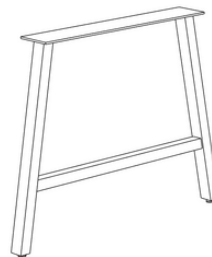
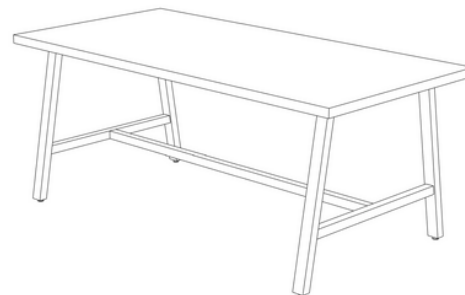
Finished Table Height	Levelers	Casters
Dining (29.5"-30")	✓	✓
Counter (35.5"-36")	✓	✓
Bar (41.5"-42")	✓	✓

## A-Leg, 2" Square Tube

*Stretcher Bar Available*

**Minimum Top Size: 18"x30"**  
**Maximum Top Size: 60"x144"**

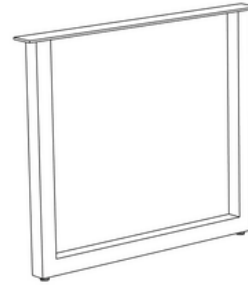
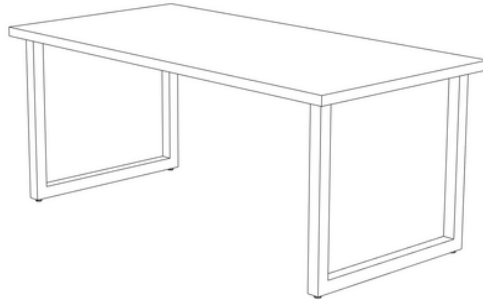
**Available Top Shapes**  
 Rectangle, Racetrack, Boat



Finished Table Height	Levelers	Casters
Dining (29.5"-30")	✓	✓
Counter (35.5"-36")	✓	✓
Bar (41.5"-42")	✓	✓

# METAL BASES

## U-Leg, 2" Square Tube

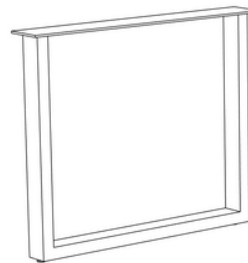
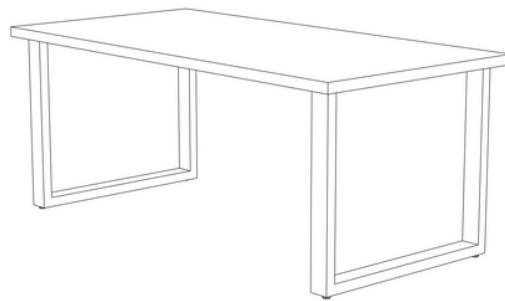


**Minimum Top Size: 16"x30"**  
**Maximum Top Size: 60"x144"**

**Available Top Shapes**  
 Rectangle, Racetrack, Boat

Finished Table Height	Levelers	Casters
Dining (29.5"-30")	✓	✓
Counter (35.5"-36")	✓	✓
Bar (41.5"-42")	✓	✓

## U-Leg, 3" x 1.5" Rectangular Tube

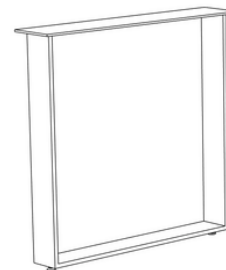
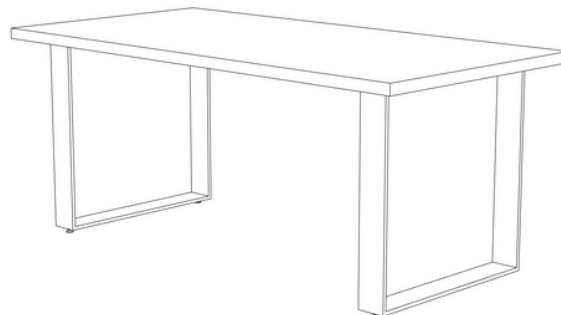


**Minimum Top Size: 16"x30"**  
**Maximum Top Size: 60"x144"**

**Available Top Shapes**  
 Rectangle, Racetrack, Boat

Finished Table Height	Levelers
Dining (29.5"-30")	✓
Counter (35.5"-36")	✓
Bar (41.5"-42")	✓

## U-Leg, 1/2" x 4" Flat Stock



**Minimum Top Size: 16"x30"**  
**Maximum Top Size: 60"x144"**

**Available Top Shapes**  
 Rectangle, Racetrack, Boat

Finished Table Height	Levelers
Dining (29.5"-30")	✓
Counter (35.5"-36")	✓
Bar (41.5"-42")	✓

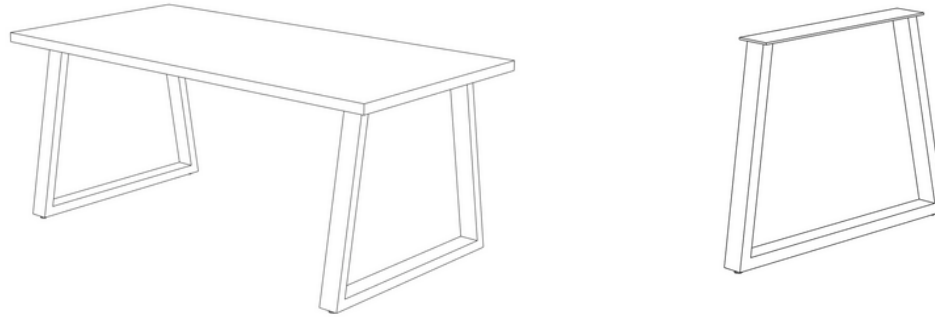
MISSION
FURNITURE OVERVIEW
SEMI-CUSTOM TABLES
BENCHES
CUSTOM
INSPIRATION



# METAL BASES

MISSION
FURNITURE OVERVIEW
SEMI-CUSTOM
BENCHES
TABLES
CUSTOM
INSPIRATION

## Trapezoid Leg, 3" x 1.5" Rectangular Tube

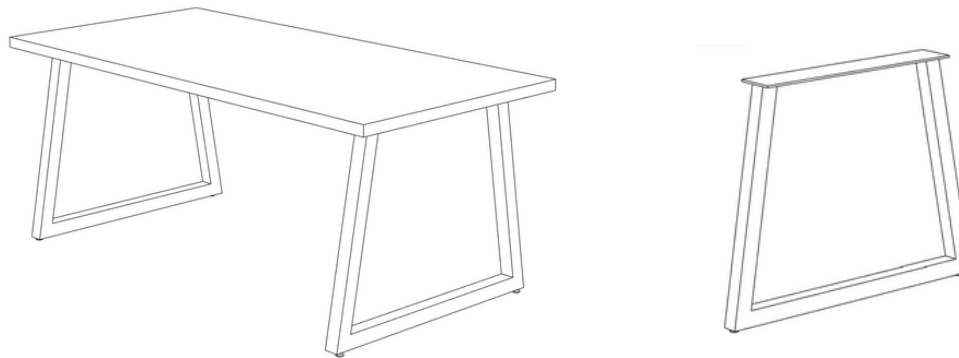


Minimum Top Size: 24"x30"  
Maximum Top Size: 60"x144"

Available Top Shapes  
Rectangle, Racetrack, Boat

Finished Table Height	Levelers
Dining (29.5"-30")	✓
Counter (35.5"-36")	✓
Bar (41.5"-42")	✓

## Trapezoid Leg, 2" Square Tube

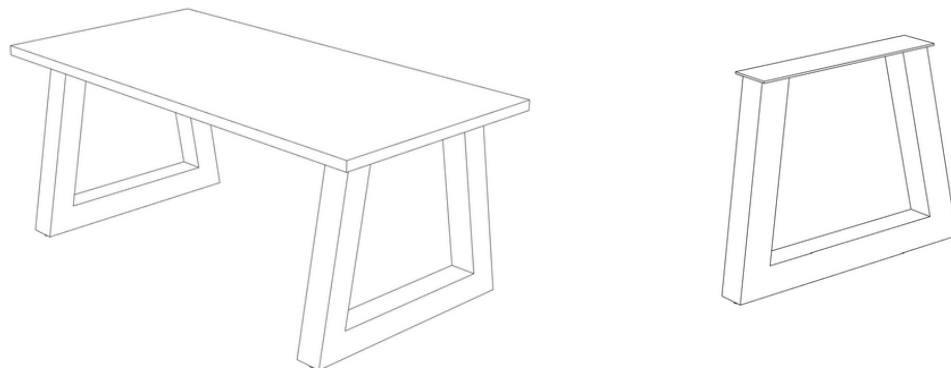


Minimum Top Size: 24"x30"  
Maximum Top Size: 60"x144"

Available Top Shapes  
Rectangle, Racetrack, Boat

Finished Table Height	Levelers
Dining (29.5"-30")	✓
Counter (35.5"-36")	✓
Bar (41.5"-42")	✓

## Trapezoid Leg, 4" Square Tube



Minimum Top Size: 24"x30"  
Maximum Top Size: 60"x144"

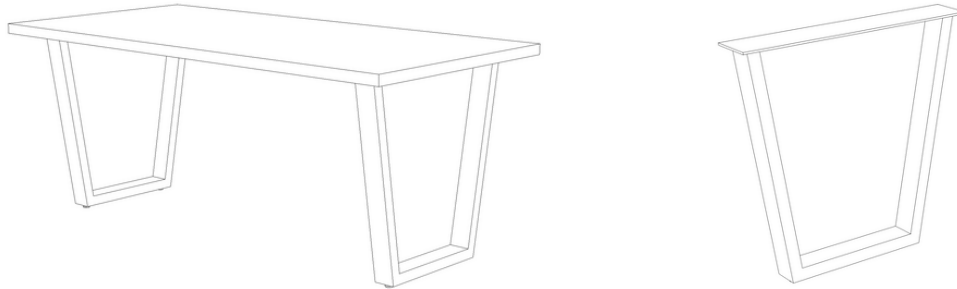
Available Top Shapes  
Rectangle, Racetrack, Boat

Finished Table Height	Felt Pads
Dining (29.5"-30")	✓
Counter (35.5"-36")	✓
Bar (41.5"-42")	✓

# METAL BASES

MISSION
FURNITURE OVERVIEW
SEMI-CUSTOM TABLES
BENCHES
CUSTOM
INSPIRATION

## Inverted Trapezoid Leg, 3" x 1.5" Rectangular Tube

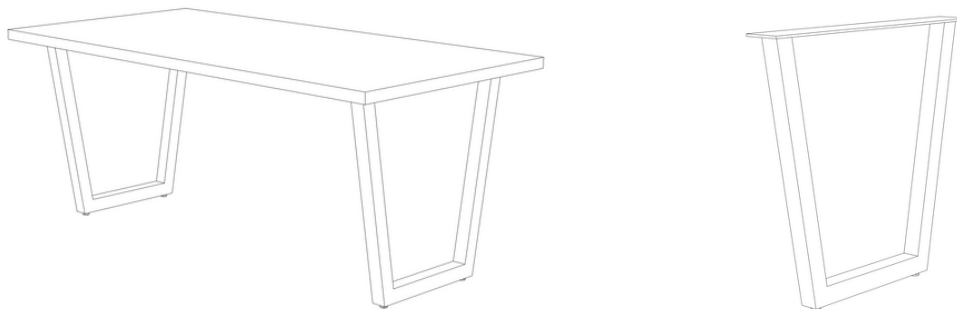


Minimum Top Size: 24"x30"  
Maximum Top Size: 60"x144"

Available Top Shapes  
Rectangle, Racetrack, Boat

Finished Table Height	Levelers
Dining (29.5"-30")	✓
Counter (35.5"-36")	✓
Bar (41.5"-42")	✓

## Inverted Trapezoid Leg, 2" Square Tube

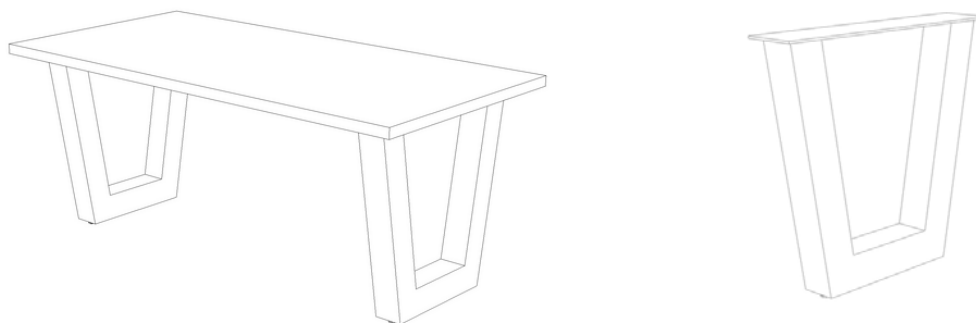


Minimum Top Size: 24"x30"  
Maximum Top Size: 60"x144"

Available Top Shapes  
Rectangle, Racetrack, Boat

Finished Table Height	Levelers
Dining (29.5"-30")	✓
Counter (35.5"-36")	✓
Bar (41.5"-42")	✓

## Inverted Trapezoid Leg, 4" Square Tube



Minimum Top Size: 24"x30"  
Maximum Top Size: 60"x144"

Available Top Shapes  
Rectangle, Racetrack, Boat

Finished Table Height	Felt Pads
Dining (29.5"-30")	✓
Counter (35.5"-36")	✓
Bar (41.5"-42")	✓

# METAL BASES

MISSION
FURNITURE OVERVIEW
SEMI-CUSTOM TABLES
BENCHES
CUSTOM
INSPIRATION

## X-Leg, 2" Square Tube

*Stretcher Bar Available*



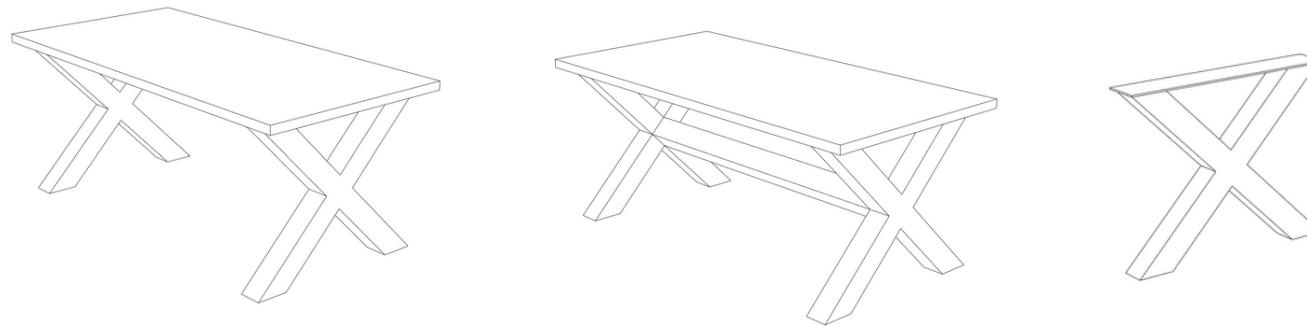
**Minimum Top Size: 36"x48"**  
**Maximum Top Size: 60"x144"**

**Available Top Shapes**  
 Rectangle, Racetrack, Boat

Finished Table Height	Levelers
Dining (29.5"-30")	✓
Counter (35.5"-36")	✓
Bar (41.5"-42")	✓

## X-Leg, 4" Square Tube

*Stretcher Bar Available*

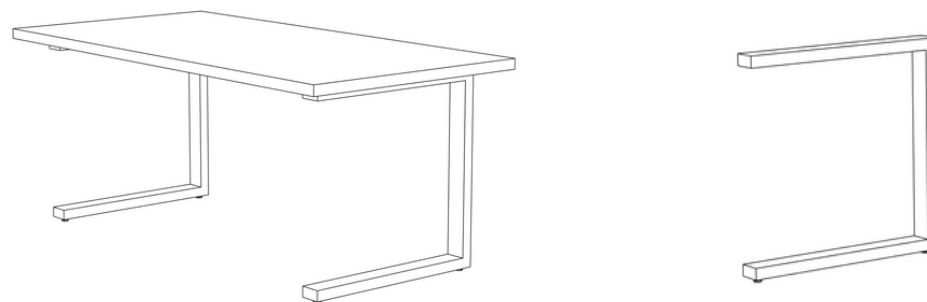


**Minimum Top Size: 36"x48"**  
**Maximum Top Size: 60"x144"**

**Available Top Shapes**  
 Rectangle, Racetrack, Boat

Finished Table Height	Felt Pads
Dining (29.5"-30")	✓
Counter (35.5"-36")	✓
Bar (41.5"-42")	✓

## C-Leg, 3" x 1.5" Rectangular Tube



**Minimum Top Size: 16"x30"**  
**Maximum Top Size: 60"x144"**

**Available Top Shapes**  
 Rectangle

Finished Table Height	Levelers	Casters
Dining (29.5"-30")	✓	✓
Counter (35.5"-36")	✓	✓
Bar (41.5"-42")	✓	

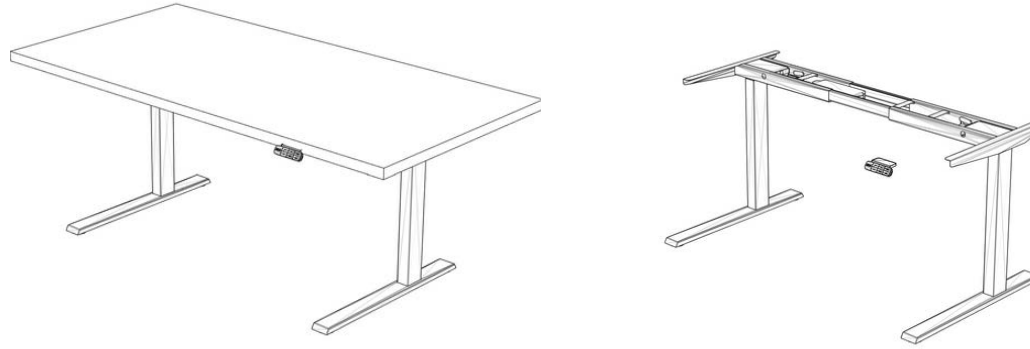


# METAL BASES

## Height-Adjustable Desk Base (Sit/Stand Option)

**Minimum Top Size: 24"x48"**  
**Maximum Top Size: 30"x72"**

**Available Top Shapes**  
 Rectangle



Humanscale eFloat Go 2.0 base.  
 Only available in black, silver, and white.  
 Height-adjustable between 29" and 46" tall.

MISSION
FURNITURE OVERVIEW
SEMI-CUSTOM TABLES
BENCHES
CUSTOM
INSPIRATION

# WOOD BASES

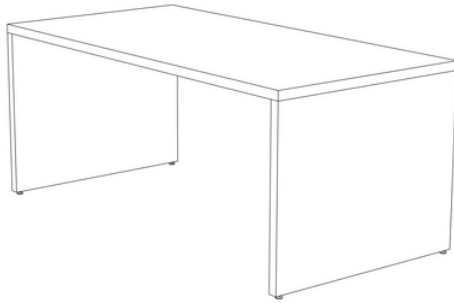
MISSION

## Slab Leg, Butt Joint

*Stretcher Bar Available*

**Minimum Top Size: 12"x36"**  
**Maximum Top Size: 48"x120"**

**Available Top Shapes**  
Rectangle



Finished Table Height	Levelers
Dining (29.5"-30")	✓
Counter (35.5"-36")	✓
Bar (41.5"-42")	✓

1.5" thickness only

FURNITURE OVERVIEW

SEMI-CUSTOM

TABLES

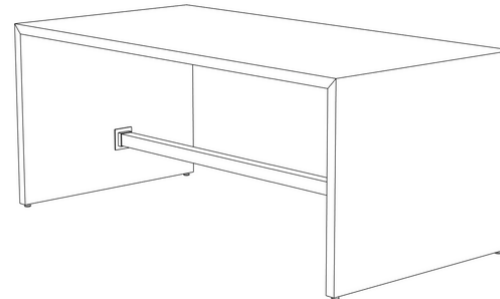
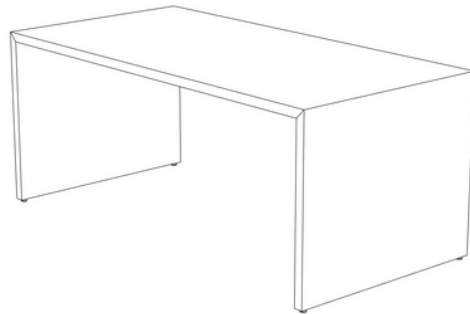
BENCHES

## Slab Leg, Mitered Joint

*Stretcher Bar Available*

**Minimum Top Size: 12"x36"**  
**Maximum Top Size: 48"x120"**

**Available Top Shapes**  
Rectangle



Finished Table Height	Levelers
Dining (29.5"-30")	✓
Counter (35.5"-36")	✓
Bar (41.5"-42")	✓

1.5" thickness only

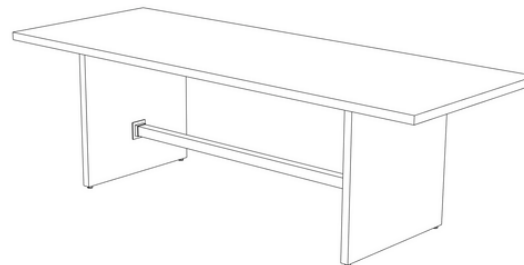
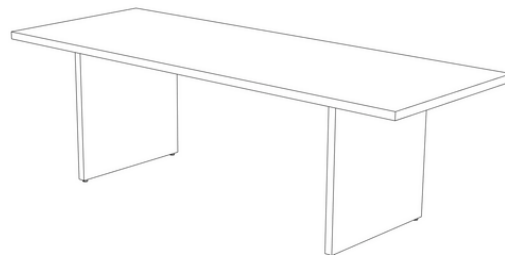
CUSTOM

## Inset Slab Leg

*Stretcher Bar Available*

**Minimum Top Size: 24"x72"**  
**Maximum Top Size: 48"x120"**

**Available Top Shapes**  
Rectangle, Racetrack, Boat



Finished Table Height	Levelers
Dining (29.5"-30")	✓
Counter (35.5"-36")	
Bar (41.5"-42")	

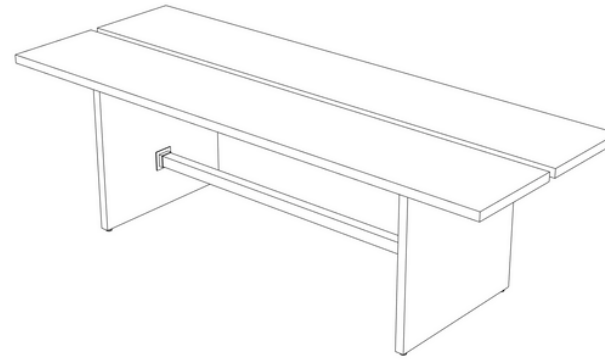
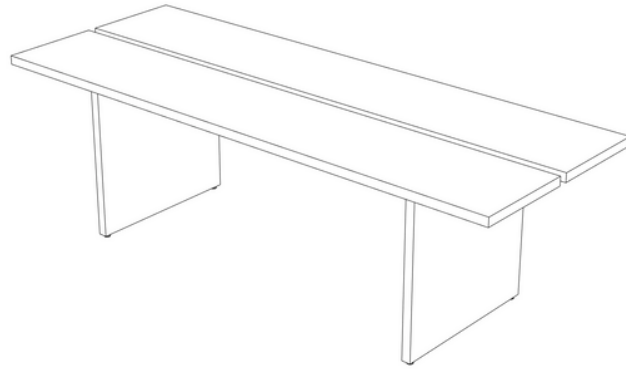
1.5" thickness only

INSPIRATION

# WOOD BASES

## Inset Slab Leg with Split Top

*Stretcher Bar Available*



**Minimum Top Size: 24"x72"**  
**Maximum Top Size: 48"x120"**

**Available Top Shapes**  
 Rectangle Split Top

Finished Table Height	Levelers
Dining (29.5"-30")	✓
Counter (35.5"-36")	
Bar (41.5"-42")	

1.5" thickness only

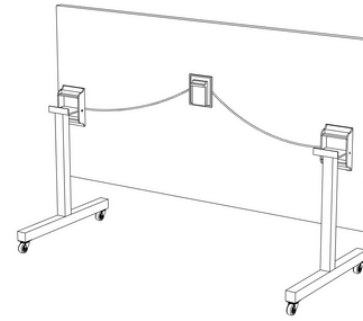
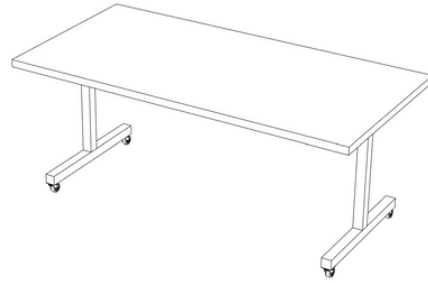
REBUILDING LIVES. BUILDING FURNITURE.  
**PURPOSEFUL-DESIGN™**  
 — EST.2013 —

MISSION
FURNITURE OVERVIEW
SEMI-CUSTOM BENCHES
<b>TABLES</b>
CUSTOM
INSPIRATION



# FLIP-TOP BASES

## T-Leg, 2" Square Tube with Flip-Top



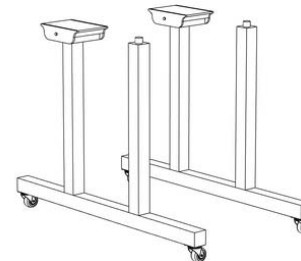
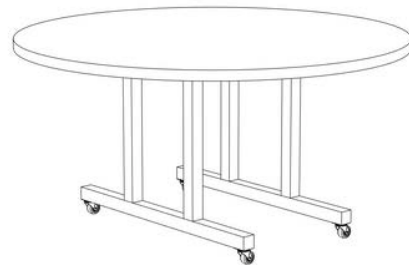
**Minimum Top Size: 24"x48"**  
**Maximum Top Size: 48"x72"**

**Available Top Shapes**  
 Rectangle, Ellipse

Finished Table Height	Casters
Dining (29.5"-30")	✓
Counter (35.5"-36")	✓
Bar (41.5"-42")	

MISSION  
 FURNITURE OVERVIEW  
 SEMI-CUSTOM TABLES  
 BENCHES  
 CUSTOM  
 INSPIRATION

## 2 Post T-Leg, 2" Square Tube with Flip-Top

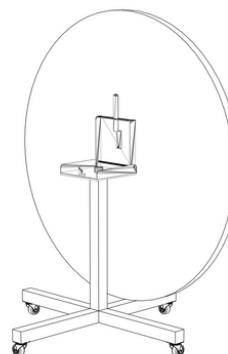


**Minimum Top Size: 48"x48"**  
**Maximum Top Size: 60"x60"**

**Available Top Shapes**  
 Square, Round

Finished Table Height	Casters
Dining (29.5"-30")	✓
Counter (35.5"-36")	✓
Bar (41.5"-42")	

## Pedestal Base, Cross Style, 2" Square Tube with Flip-Top



**Minimum Top Size: 24"x24"**  
**Maximum Top Size: 48"x48"**

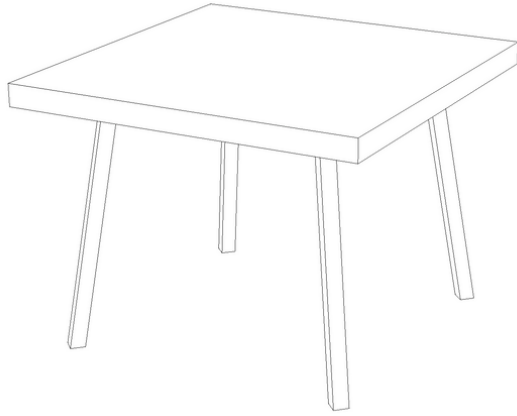
**Available Top Shapes**  
 Square, Round

Finished Table Height	Casters
Dining (29.5"-30")	✓
Counter (35.5"-36")	✓
Bar (41.5"-42")	



# OCCASIONAL TABLES

## Post Leg, 1" Square Tube, angled 10 degrees



### Finished Table Height

17.5"-18"

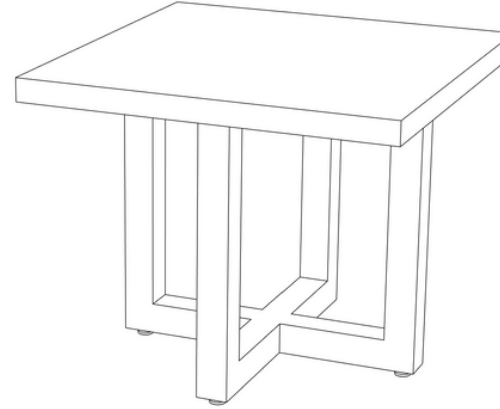
**Material:** Steel

**Minimum Top Size:** 12"x12"

**Maximum Top Size:** 48"x48"

**Feet:** Felt Pads

## Cross Base, 2" Square Tube



### Finished Table Height

17.5"-18"

**Material:** Steel

**Minimum Top Size:** 12"x12"

**Maximum Top Size:** 36"x72"

**Feet:** Levelers

## 1/2" Rod Triangle



### Finished Table Height

17.5"-18"

**Material:** Steel

**Minimum Top Size:** 16"x16"

**Maximum Top Size:** 36"x36"

## 1/2" Rod Cross



### Finished Table Height

17.5"-18"

**Material:** Steel

**Minimum Top Size:** 12"x12"

**Maximum Top Size:** 48"x48"

**Feet:** Plastic pads

MISSION  
FURNITURE OVERVIEW  
SEMI-CUSTOM TABLES  
BENCHES  
CUSTOM  
INSPIRATION



# OCCASIONAL TABLES

MISSION

FURNITURE OVERVIEW

SEMI-CUSTOM

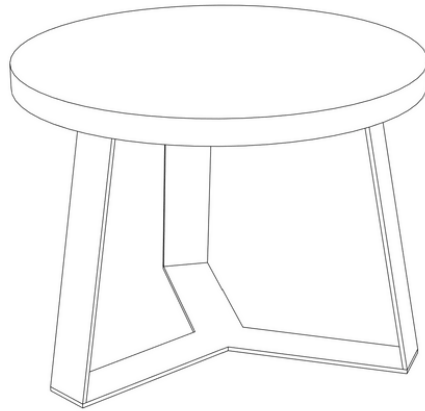
TABLES

BENCHES

CUSTOM

INSPIRATION

## Y-Base, 1/2" x 3" Flat Stock



### Finished Table Height

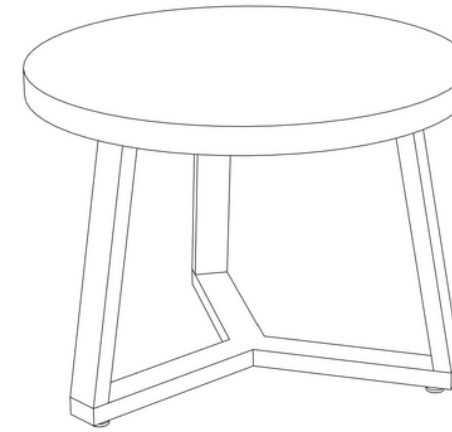
17.5"-18"

**Material:** Steel

**Minimum Top Size:** 12"x12"  
**Maximum Top Size:** 48"x48"

**Feet:** Felt Pads

## Y-Base, 2" x 1" Rectangular Tube



### Finished Table Height

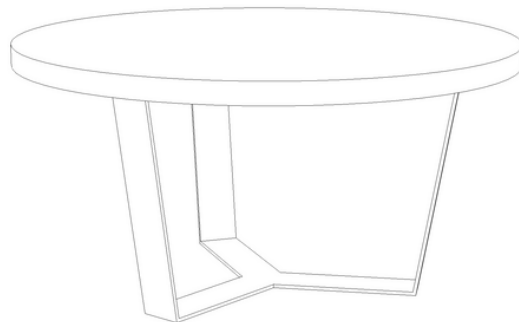
17.5"-18"

**Material:** Steel

**Minimum Top Size:** 12"x12"  
**Maximum Top Size:** 48"x48"

**Feet:** Levelers

## Inverted Y-Base, 1/2" x 3" Flat Stock



### Finished Table Height

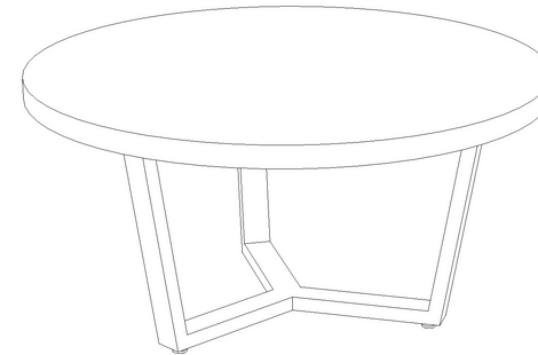
17.5"-18"

**Material:** Steel

**Minimum Top Size:** 12"x12"  
**Maximum Top Size:** 48"x48"

**Feet:** Felt Pads

## Inverted Y-Base, 2" x 1" Rectangular Tube



### Finished Table Height

17.5"-18"

**Material:** Steel

**Minimum Top Size:** 12"x12"  
**Maximum Top Size:** 48"x48"

**Feet:** Levelers



# OCCASIONAL TABLES

MISSION

FURNITURE OVERVIEW

SEMI-CUSTOM

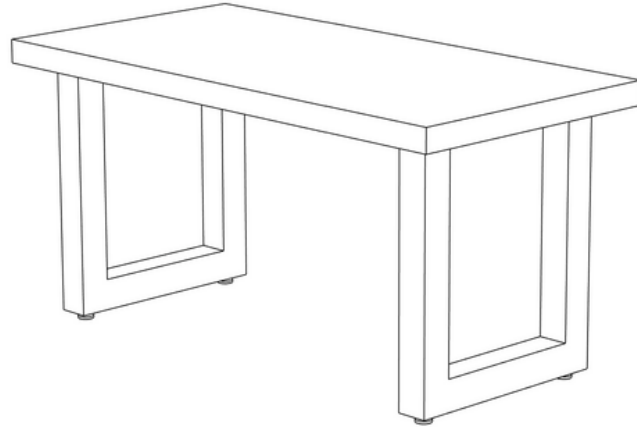
TABLES

BENCHES

CUSTOM

INSPIRATION

## U-Leg, 2" Square Tube



### Finished Table Height

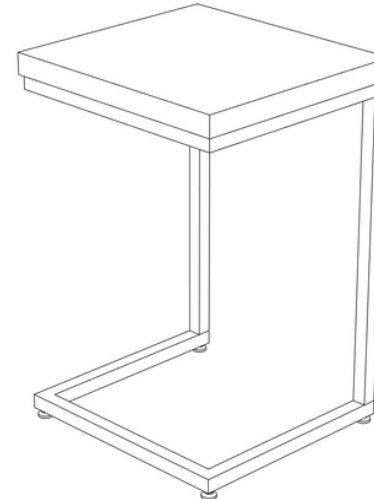
17.5"-18"

**Material:** Steel

**Minimum Top Size:** 16"x24"  
**Maximum Top Size:** 32"x48"

**Feet:** Levelers

## Laptop table, 1" Square Tube



### Finished Table Height

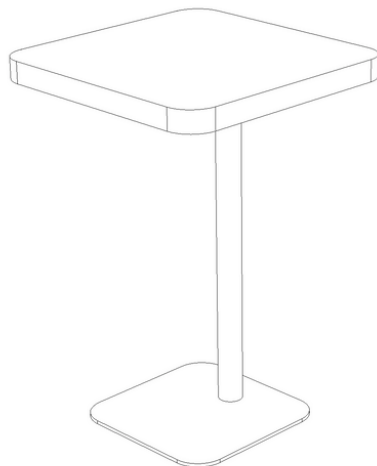
25.5"-26"

**Material:** Steel

**Available with a 14"x18" top only**

**Feet:** Levelers

## Laptop Table, 1" Round Tube Pedestal



### Finished Table Height

25.5"-26"

**Material:** Steel

**Available with a 14"x18" top only**


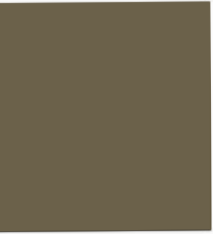
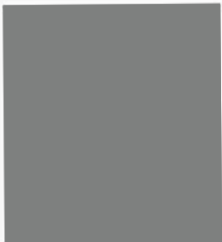

**Feet:** Felt Pads



# DESIGN ELEMENTS — TABLES

## 9 PAINT COLOR

Choose a paint color for your base.

Black		Bronze	
Gray		Silver	
Chocolate Brown		White	
Gold		Tan	

A custom paint color can also be done upon request.



MISSION
FURNITURE OVERVIEW
SEMI-CUSTOM
BENCHES
TABLES
CUSTOM
INSPIRATION



# SEMI-CUSTOM BENCHES



REBUILDING LIVES. BUILDING FURNITURE.  
**PURPOSEFUL-DESIGN™**  
 — EST.2013 —

# DESIGN ELEMENTS — BENCHES

To create a bench in the Semi-Custom Design Lane, follow the numbered steps through this document and select an option for each Design Element.

All benches will come standard with the following:

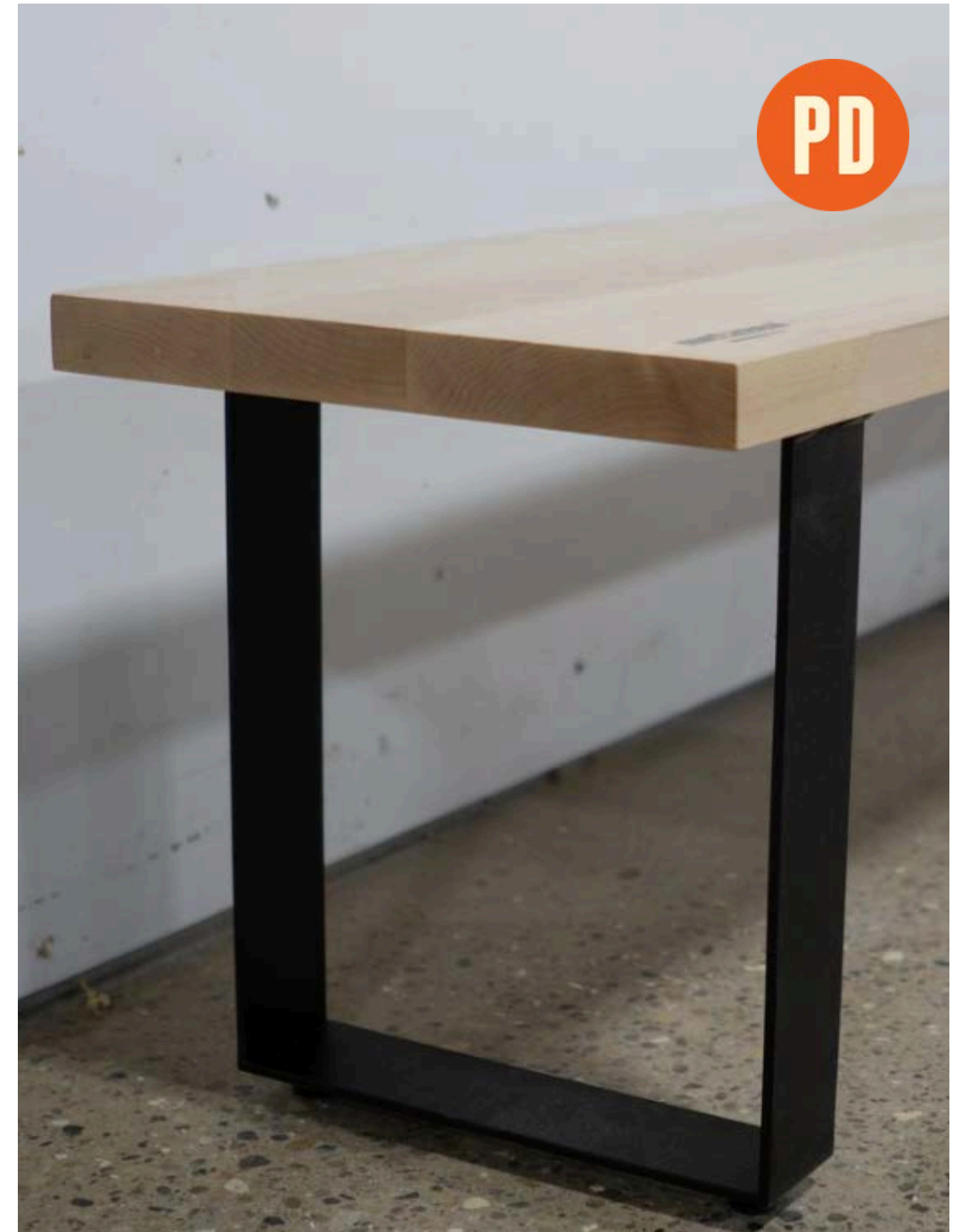
- 18" finished height
- Rectangle-shaped wood top, 1.5" thick
- Levelers

## 1 SIZING—WIDTH AND LENGTH

The width and length of your bench top can be specified in 1" increments.

1. Choose a width between 16" and 18"
2. Choose a length between 42" and 96"

Each bench base will be placed 8" from each end of the bench.





# DESIGN ELEMENTS — BENCHES

## 2 WOOD SPECIES

Choose a species for the top. All tops will be rectangle-shaped and 1.5" thick.



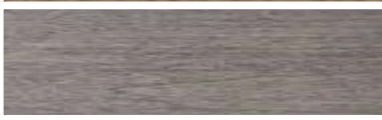


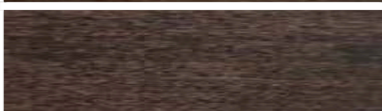
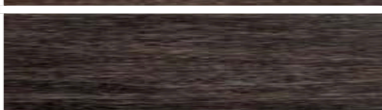
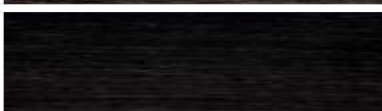
Wood Species From least expensive to most expensive	Natural Finish	Stain Colors	Finished Texture
Ash		Natural or Stained	Can see/feel grain
Maple		Natural or Stained	Smooth
Cherry		Natural or Stained	Smooth
Quarter-Sawn Red Oak		Natural or Stained	Can see/feel grain
Flat-Sawn White Oak		Natural Only	Can see/feel grain
Walnut		Natural Only	Smooth

**Not seeing the wood species you are looking for? We can further customize the species of your top in the Custom Design Lane.**

For maximum durability, all of our benches are treated with a commercial-grade finish. Our default finish sheen is **Matte**, as we think Matte allows the wood to retain a natural look. Customers desiring a shinier surface finish may request that their top be finished in a Satin sheen.

## 3 STAIN COLOR

Choose a stain color, or opt to have your bench finished 'Natural'.

Aged Ash	
Early American	
Classic Gray	
Red Mahogany	
Jacobean	
Mocha	
Ebony	
True Black	

A custom stain match can also be done upon request.



# DESIGN ELEMENTS — BENCHES

## 4 BRANDING

Choose from the following:

- **Purposeful Design Hot Iron Brand (default)**
- Hot Iron Brand with customer-specified logo.

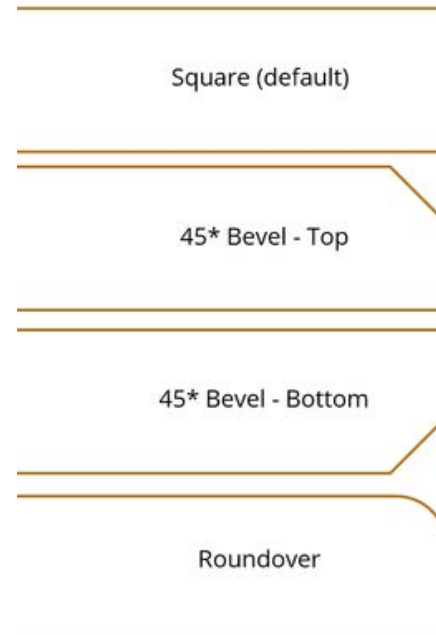
The hot iron brand will be placed in the corner of the bench top.



## 5 EDGE PROFILE

Choose from the following:

- **Square (Default)**
- 45\* Bevel - Top
- 45\* Bevel - Bottom
- Roundover



## 6 BASE STYLES

Choose from our array of bases on the following pages.

Further customizations are available in the Custom Design Lane:

- Custom-designed base style, including solid wood bases
- Custom bench height

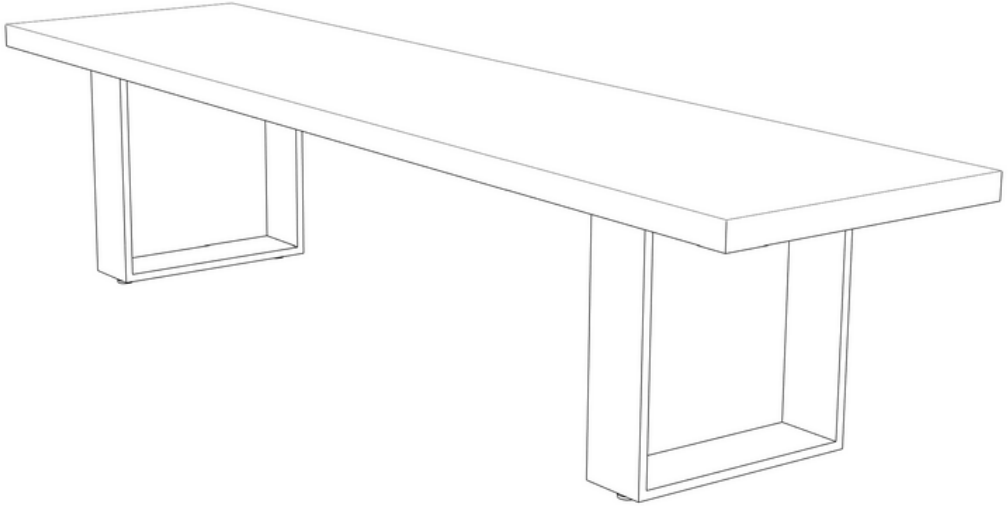
MISSION
FURNITURE OVERVIEW
SEMI-CUSTOM TABLES
<b>BENCHES</b>
CUSTOM
INSPIRATION

# DESIGN ELEMENTS — BENCHES

MISSION
FURNITURE OVERVIEW
SEMI-CUSTOM
TAPLES
<b>BENCHES</b>
CUSTOM
INSPIRATION

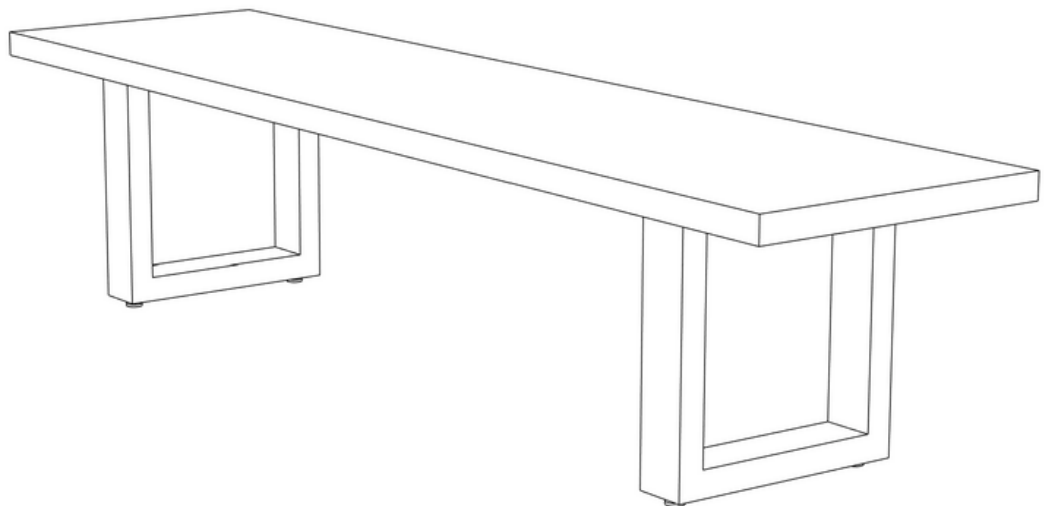
## U-Leg, 1/2" x 4" Flat Stock

Material: Steel (with felt pads)



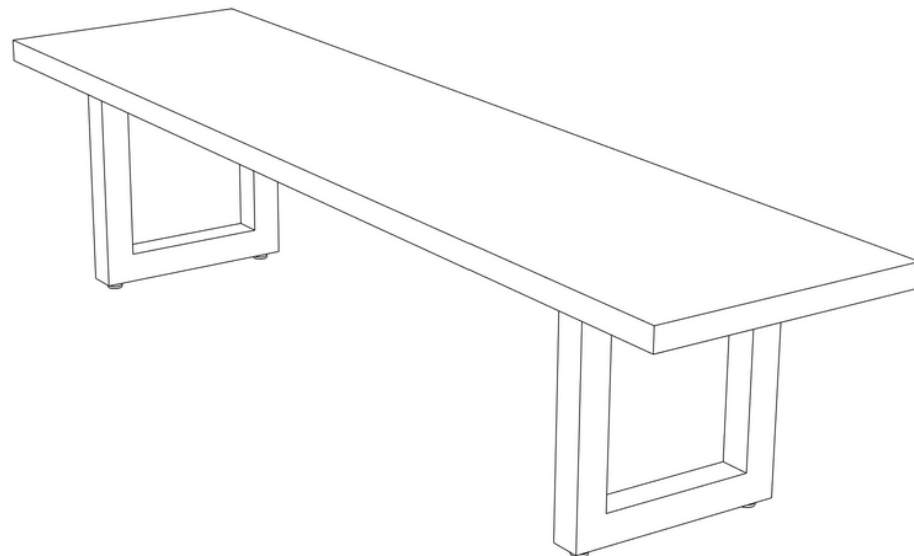
## U-Leg, 3" x 1.5" Rectangular Tube

Material: Steel



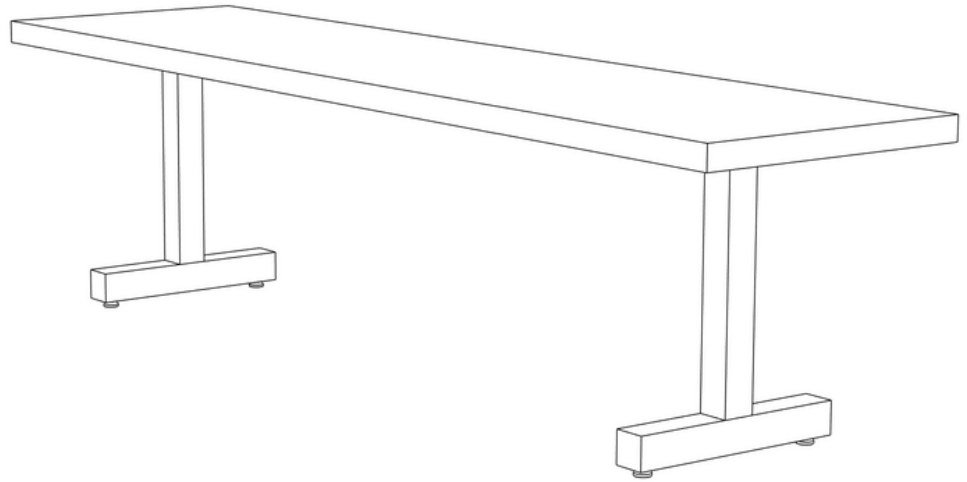
## U-Leg, 2" Square Tube

Material: Steel



## T-Leg, 2" Square Tube

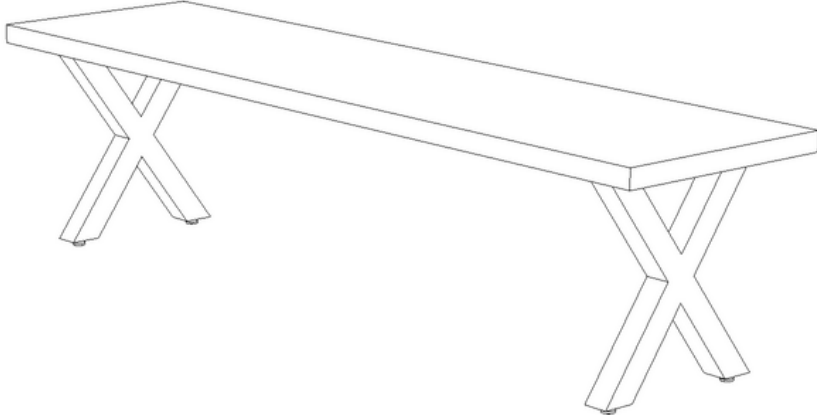
Material: Steel



# DESIGN ELEMENTS — BENCHES

## X-Leg, 2" Square Tube

Material: Steel



## 7 PAINT COLOR

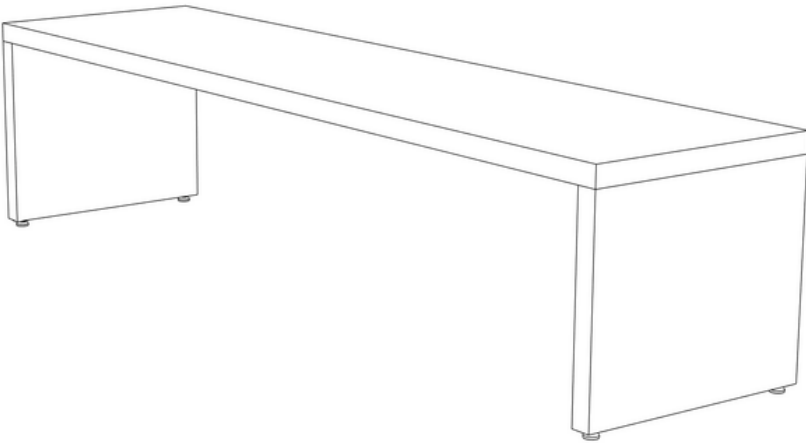
Choose a paint color for your base.

Black		Bronze
Gray		Silver
Chocolate Brown		White
Gold		Tan

A custom paint color can also be done upon request.

## Slab Leg - Butt Joint

Material: Wood



MISSION
FURNITURE OVERVIEW
SEMI-CUSTOM TABLES
<b>BENCHES</b>
CUSTOM
INSPIRATION



MISSION
FURNITURE OVERVIEW
SEMI-CUSTOM
BENCHES
TABLES
CUSTOM
INSPIRATION

# CUSTOM DESIGN LANE



REBUILDING LIVES. BUILDING FURNITURE.  
**PURPOSEFUL-DESIGN™**  
 — EST.2013 —



# CUSTOM DESIGN

Didn't find what you were looking for in Semi-Custom? Here's our custom process:

- 1 DESIGN CREATION**  
Work with PD Engineering & Design Team to develop a 3-D drawing of your furniture's design.
- 2 DESIGN REVIEW AND REVISIONS**  
Review our team's work and provide feedback in a round of revisions.
- 3 DESIGN APPROVAL**  
Once we get the design just right, we will move forward with generating a price.
- 4 PRICING**

---

## LOOKING FOR INSPIRATION?

The rest of this document contains examples of Purposeful Design furniture. Our furniture has landed in the conferences rooms, common areas, café spaces, and offices of Fortune 500 companies, schools and universities, and municipalities across the United States.

REBUILDING LIVES. BUILDING FURNITURE.  
**PURPOSEFUL-DESIGN™**  
— EST. 2013 —

MISSION
FURNITURE OVERVIEW
SEMI-CUSTOM
BENCHES
TABLES
CUSTOM
INSPIRATION

MISSION	
FURNITURE OVERVIEW	
SEMI-CUSTOM	TABLES
BENCHES	
CUSTOM	
INSPIRATION	

# PRODUCT INSPIRATION



REBUILDING LIVES. BUILDING FURNITURE.  
**PURPOSEFUL-DESIGN™**  
 — EST.2013 —



MISSION	
FURNITURE OVERVIEW	
SEMI-CUSTOM	TABLES
BENCHES	
CUSTOM	
INSPIRATION	



**EXECUTIVE CONFERENCE TABLE**  
 Custom



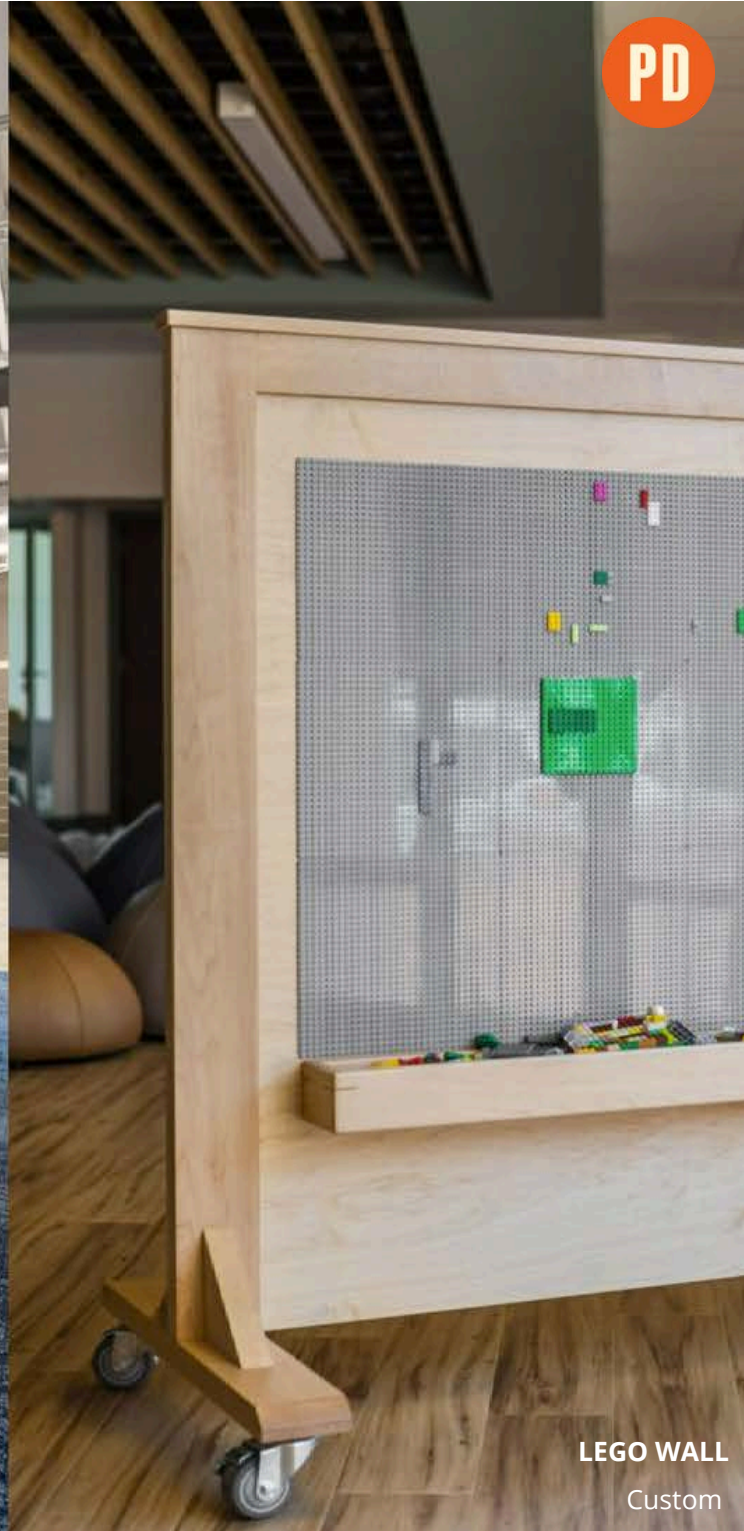
MISSION	
FURNITURE OVERVIEW	
SEMI-CUSTOM	TABLES
BENCHES	
CUSTOM	
INSPIRATION	



**LIVE EDGE CONFERENCE TABLE**  
Custom



**SIDE TABLE**  
Semi-Custom



**LEGO WALL**  
Custom



MISSION	
FURNITURE OVERVIEW	
SEMI-CUSTOM	TABLES
BENCHES	
CUSTOM	
INSPIRATION	



**ROUND CAFETERIA TABLES**  
Semi-Custom



MISSION
FURNITURE OVERVIEW
SEMI-CUSTOM
BENCHES
TABLES
CUSTOM
INSPIRATION



**CREDENZA**  
Custom



**LIVE-EDGE BREAKROOM TABLE**  
Custom



MISSION	
FURNITURE OVERVIEW	
SEMI-CUSTOM	TABLES
BENCHES	
CUSTOM	
INSPIRATION	



**CONFERENCE TABLE**  
Semi-custom



**"GUITAR PICK" OCCASIONAL TABLE**  
Custom



**CAFETERIA TABLE**  
Semi-custom



# YOUR PURCHASE HELPS REBUILD LIVES

Not sure where to get started or which of the Design Lanes is right for you?

To get the conversation started, contact your salesperson or fill out an inquiry form at [www.pdindy.com](http://www.pdindy.com).

REBUILDING LIVES. BUILDING FURNITURE.  
**PURPOSEFUL-DESIGN™**  
— EST.2013 —







# PURPOSEFUL DESIGN

